

# 661 | ACCU-PRO AT/MT BEDKNIFE GRINDER

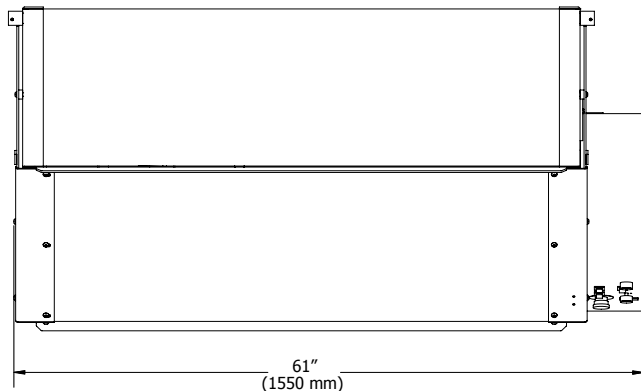
# FOLEY COMPANY



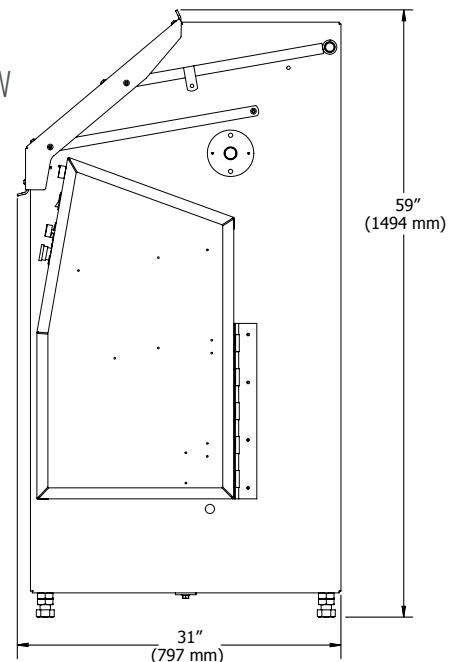
FEATURES	AT	MT
MOUNTING SYSTEM	PERMANENT MAGNETS WITH SUPPORTS	PERMANENT MAGNETS WITH SUPPORTS
ADJUSTABLE FLOOD COOLANT	✓	✓
QUICK RETRACTABLE SETUP GAUGE	✓	✓
GRIND ANGLE	MANUAL WITH DECAL	MANUAL WITH DECAL
INTEGRATED DIAMOND DRESSER	✓	✓
HEIGHT ADJUSTABLE GRINDING HEAD	✓	✓
VARIABLE SPEED BELT DRIVE TRAVERSE SYSTEM	✓	X
AUTOMATIC MODE - WITH POWERED INFEEED	X	X
OPTIONAL EQUIPMENT		
BORAZON WHEEL	OPTIONAL	OPTIONAL
BELLOWS KIT	X	X
FLOOD COOLANT ADDITIVE (ORDER WHEN NEEDED)	✓	✓

## ► DIMENSIONS:

TOP VIEW



SIDE VIEW



**MADE IN THE USA**

©2019 FOLEY COMPANY. ALL RIGHTS RESERVED. PNG3730171 - LUI0072019

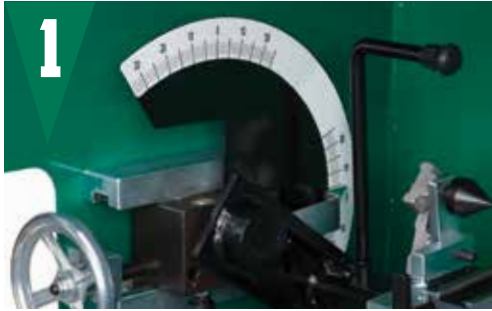
FOLEYCO.COM | 800.225.9810

PRECISION AT PLAY

# 661 | ACCU-PRO AT/MT BEDKNIFE GRINDER

**FOLEY**  
COMPANY

EASY ANGLE POSITIONS



MAGNETIC MOUNTING SYSTEM



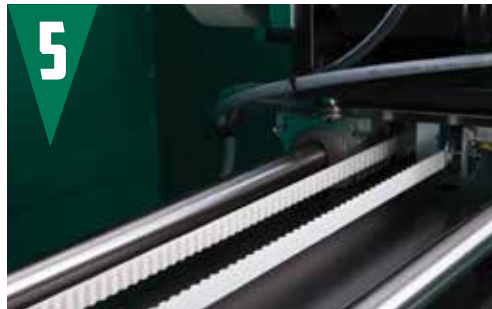
PRECISION GRINDING HEAD



INTEGRATED FLOOD COOLANT SYSTEM



BELT DRIVE TRAVERSE SYSTEM ON AT



BUILT-IN DIAMOND DRESSER



ACCESSIBLE CONTROL PANEL



INTERLOCK DOOR SAFETY SWITCH



## ALL THE FEATURES YOU NEED WITHOUT BREAKING THE BUDGET

PROTECTIVE SHIELD



BEDKNIFE SUPPORT TOOLING

USES PERMANENT MAGNET TO SECURE THE BEDKNIFE.

FULL FEATURED GRINDING HEAD DESIGN

ALLOWS FOR INCREMENTAL INFEDS OF .001" (.025 MM) AS THE RIGID CARRIAGE MAKES GRINDING SMOOTH AND PRECISE.

AUTO-TRAVERSE FUNCTION ON 661 AT

TO TRAVERSE THE GRINDING HEAD AUTOMATICALLY DOWN THE LENGTH OF THE BEDKNIFE ON TWO PRECISION RAILS.

